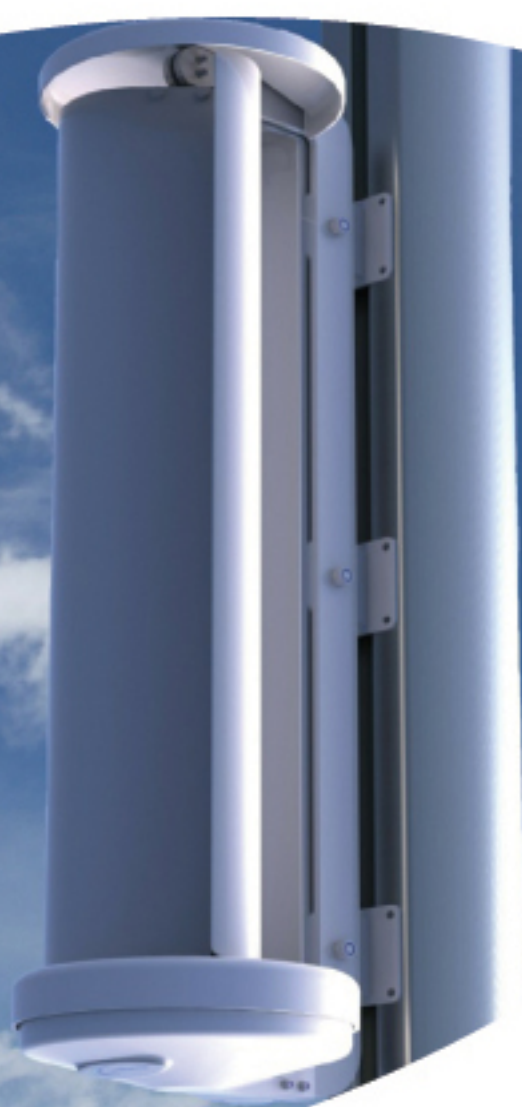




Aquasolar
0514 - 431920

Rugged
Silent
Reliable



LE-v150 & LE-v150 Extreme

For battery charging applications in challenging environments



Designed & manufactured in the UK

marine & industrial off-grid

LE-v150 - Features



LE-v150

Ideal for battery charging applications where space is a premium

Features:

Output

24W at 8m/s (17.8mph), 200W max

Storm proof

Designed to survive 35m/s (80mph) winds

Ideal for sub-zero temperatures

Keeps on working down to -40 degC

Small and compact

Easy to install in places where space is limited

Silent Operation

Absolutely no noise as the turbine operates

Lightweight

Weights just 13Kg

Proven in some of the most challenging environments

This compact and silent vertical axis turbine designed to provide power outputs up to 200 watts for a host of different battery charging applications.

The LE-v150 uses a proven cross-ventilated 'savoynious' rotor design which gives excellent power conversion for a vertical axis turbine of this size. The rotor is coupled with a zero cogging axial flux alternator enabling the turbine to start up in the lightest of winds.

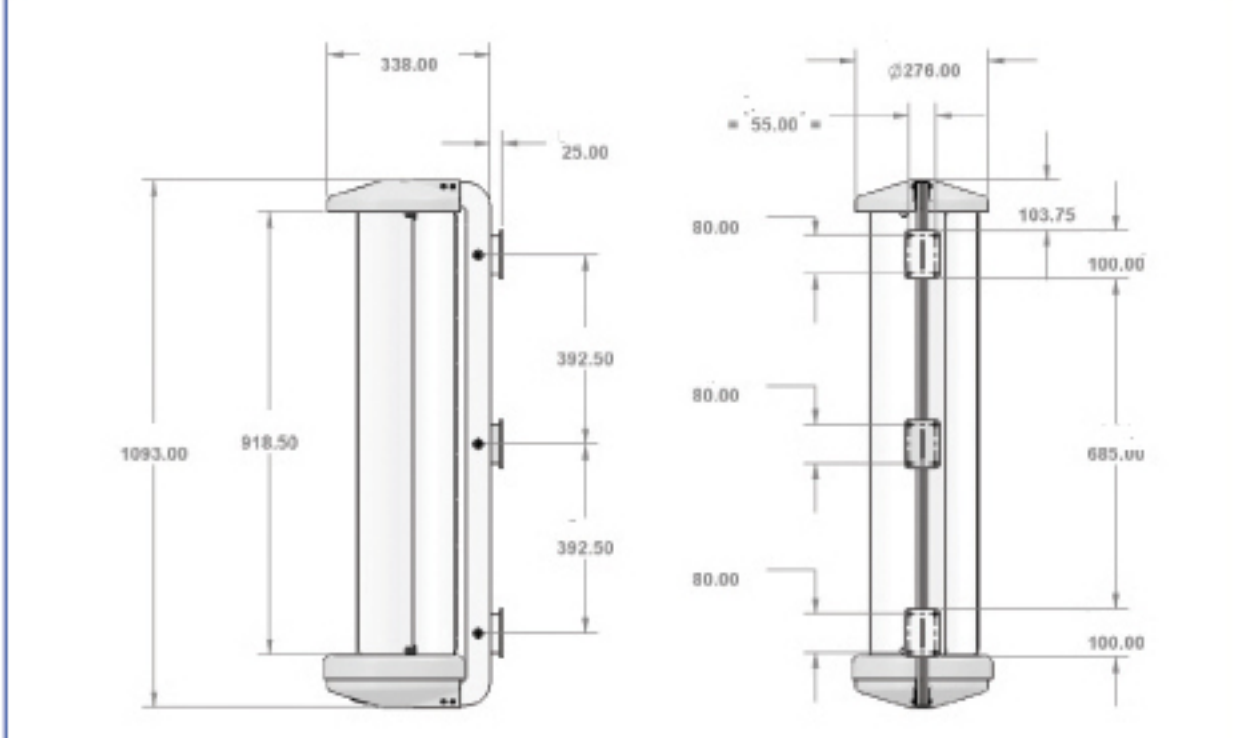
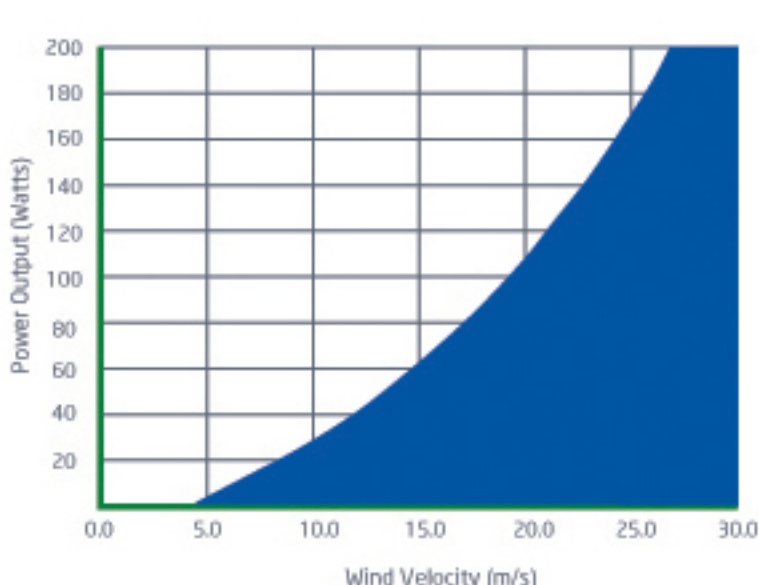
The turbine will receive the wind from 360 degrees without the need to yaw into position.

At 270mm wide, the turbine fits into spaces that a traditional horizontal axis turbine simply can't.

The LE-v150 has fully lubricated sealed bearings, so no greasing or maintenance is required. With only 1 moving part and no brushes or slip-rings to wear out, there is little to go wrong.

LE-v150 - Technical Overview

- Rotor diameter - 270mm
- Rotor Height - 918mm
- Rotor Type - 3-Blade savonius
- Blade Material - Aluminium
- Rated output - 24W at 8m/s (17.8mph)
- Peak output - 200W
- Cut-in speed - 4m/s (9mph)
- Weight - 13Kg
- DC output voltage - 12V or 24V
- Warranty - 2 years



LE-v150 Extreme

Where wind speeds can regularly reach over 27m/s (60mph), the LE-v150 Extreme is the wind turbine of choice. It features enhancements that reduce the stress and fatigue on the blades during prolonged periods of storm force winds. The overall turbine RPM is reduced while

maintaining the same power output as the standard LE-v150. In sub-zero temperatures, the black body absorbs UV light to help prevent ice build up while the low-temperature bearings mean the turbine continues generating power at temperatures down to -40 degC.

LE-v150 - Applications



- Telecoms
- Telemetry
- LED Lighting systems
- Marine
- Off-grid
- Security

Our LE-v150 vertical axis turbine is suitable for use in challenging environments where space is limited such as on telecoms towers, CCTV stations. The LE-v150 Extreme is specially adapted for storm force winds and sub-zero temperatures.

Wind turbine performance is subject to many factors. All output data contained in this document is indicative and actual turbine outputs will depend on the prevailing site and installation conditions.

Importeur Nederland,
Aquasolar v.o.f.
Bedrijvenpark 't Ges
Zwolsmanweg 14
8606 KC Sneek
info@aquasolar.nl www.aquasolar.nl
0515 - 431920



Leading Edge Turbines
Skyrriid Farm | Pontrilas
Herefordshire | HR2 0BW
www.leturbines.com

Call 0845 652 0396 | Email info@leturbines.com
Copyright © 2015 Leading Edge Turbines

marine & industrial off-grid